

LS C300 d
Product Manual
English

Foreword

Thank you for purchasing Aputure® "Light · Storm" LED video light LS C300d.

LS C300d LED video light is part of the Light Storm COB Series. It has a TLCI rating of 96+ and an active fan cooling system with real time feedback via temperature circuit, cooled with ultra silent fans and dual power supply. Our standardized Bownens mount design offers you a variety of lighting control requirements, easily operated and highly versatile.

Instructions

- Please read and follow these instructions and keep well this manual for further use.
- Please unlock the protection cover and peel off the protection label before using.
- Please do not block the ventilation grille or touch the COB light directly, and do not face the light directly when the light is on.
- Do not place the LED light device near liquids, alcohol or other flammable objects to avoid damage.
- Keep the device out of reach of children.
- Only use a microfibre and dry cloth to clean the product.
- To reduce the risk of fire or electric shock, do not use the product near water.
- Please have the product checked by an authorized service or agent if your product has a problem. The malfunctions caused by your no allowed disassembling are not under the warranty.
- Use of original Aputure cable accessories is recommended. Please note that this warranty does not apply to repairs arising out of the malfunction of non-original Aputure accessories, although you may request such repairs on a case-by-case basis.
- The product is certificated by RoHS, CE and FCC. Please operate the product in full compliance with the operation standards. Please note that this warranty does not apply to repairs arising from malfunction, although you may request such repairs on a chargeable basis.
- The instructions and information in this manual are based on thorough, controlled company testing procedures. Further notice will not be given if the design or specifications change.

FCC Compliance Statement

This device complies with Part 15 of the FCC Rules. Operation is subject to the following two conditions: (1) This device may not cause harmful interference, and (2) This device must accept any interference received, including interference that may cause undesired operation.

Warning: Changes or modifications not expressly approved by the party responsible for compliance could void the user's authority to operate the equipment.

NOTE: This equipment has been tested and found to comply with the limits for a Class B digital device, pursuant to Part 15 of the FCC Rules. These limits are designed to provide reasonable protection against harmful interference in a residential installation. This equipment generates uses and can radiate radio frequency energy and, if not installed and used in accordance with the instructions, may cause harmful interference to radio communications. However, there is no guarantee that interference will not occur in a particular installation. If this equipment does cause harmful interference to radio or television reception, which can be determined by turning the equipment off and on, the user is encouraged to try

Detailed product manual for Light Storm can be found on www.aputure.com.

to correct the interference by one or more of the following measures:

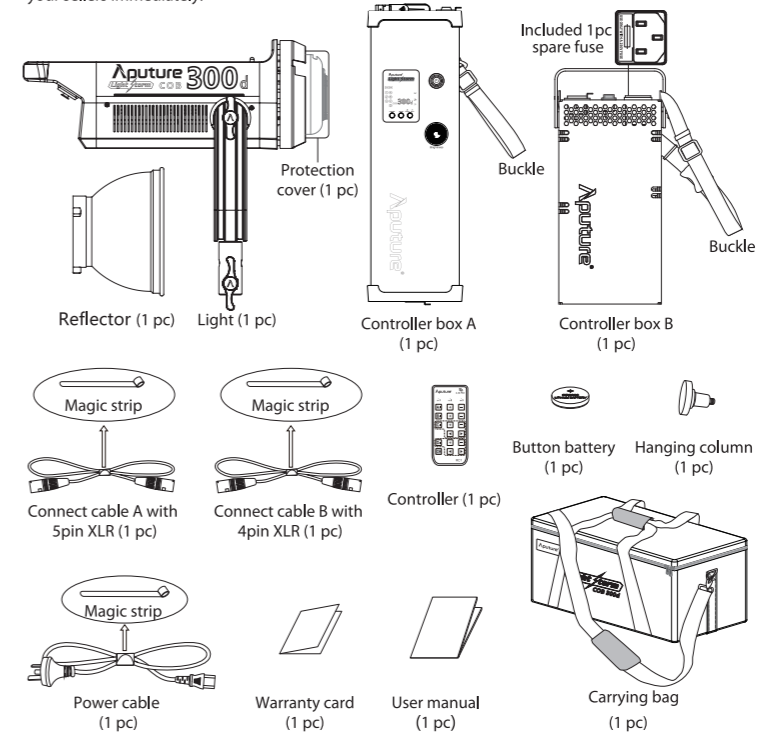
- Reorient or relocate the receiving antenna.
- Increase the separation between the equipment and receiver.
- Connect the equipment into an outlet on a circuit different from that to which the receiver is connected.
- Consult the dealer or an experienced radio/TV technician for help.

RF warning statement:

The device has been evaluated to meet general RF exposure requirement. The device can be used in portable exposure condition without restriction.

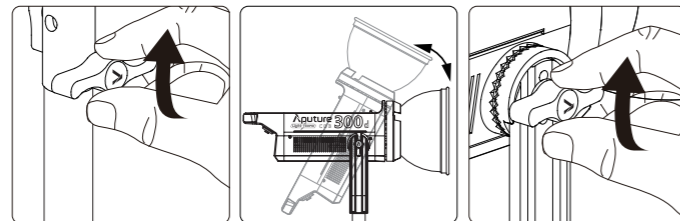
Components List

Please make sure all accessories listed below are completed before using. If not, please contact with your sellers immediately.

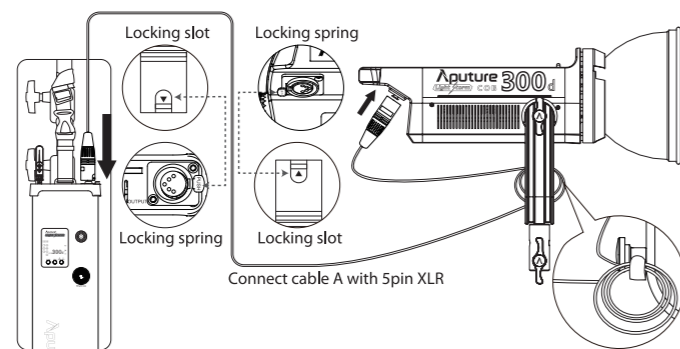


4. Install the light

Set the light at your desired angle, then use the clamp handle to install the light onto stand and fasten.



5. Use connecting cable A connect light to controller box A



* Hang the controller box on the tripod by buckle.

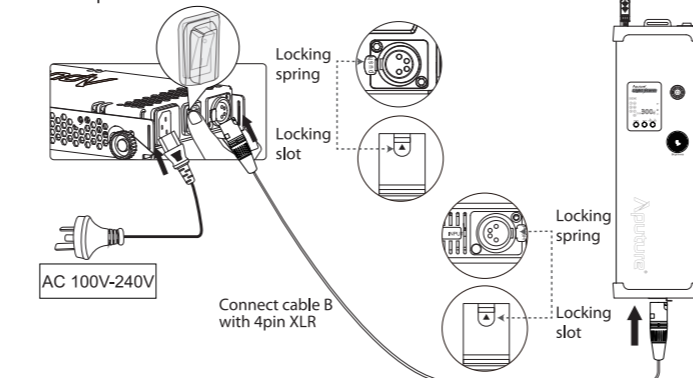
* Tie the connecting cable around the hanging column.

* Please pull the connect cable out by pushing the locking spring down on the light and controller box A.

6. Dual power supply

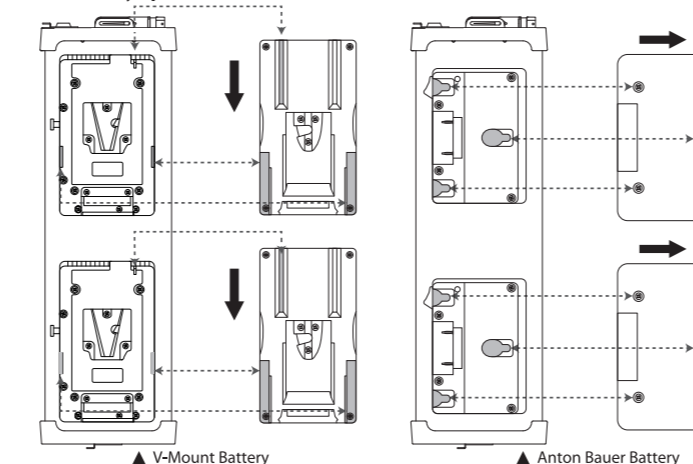
1) Powered by the adapter

Connect cable B to link controller box A and B. Press the power button to turn on controller box B.



* Please pull the connect cable out by pushing the locking spring down on the controller box A and controller box B.

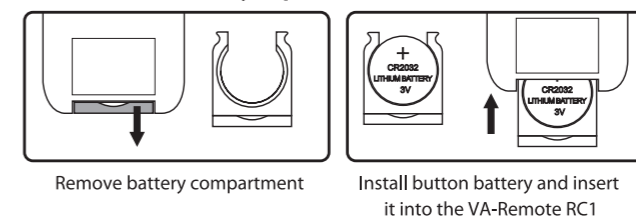
2) Powered by 2pcs batteries



* Please make sure you purchase the correct battery based on V-Mount or Gold Mount.

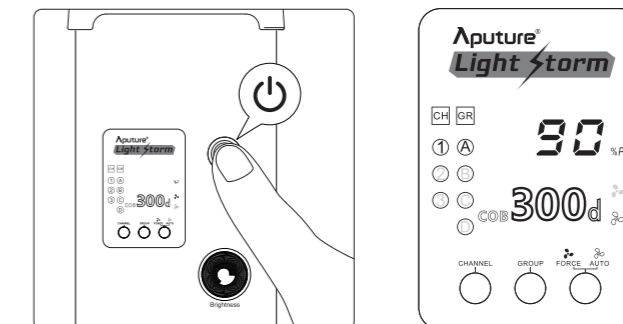
* Please use the output current 12A, capacity more than 190WH of the battery.

7. Insert the button battery to power VA-Remote RC1



Operations

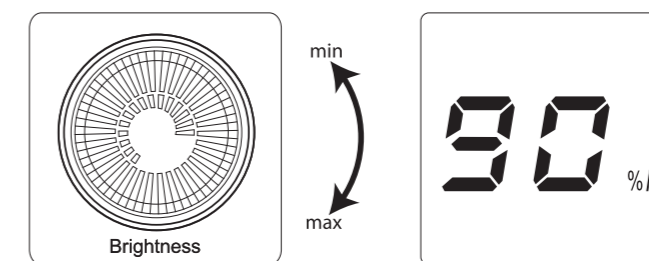
1. Press power switch to turn on the Light



* "Channel 1, Group A" is by default.

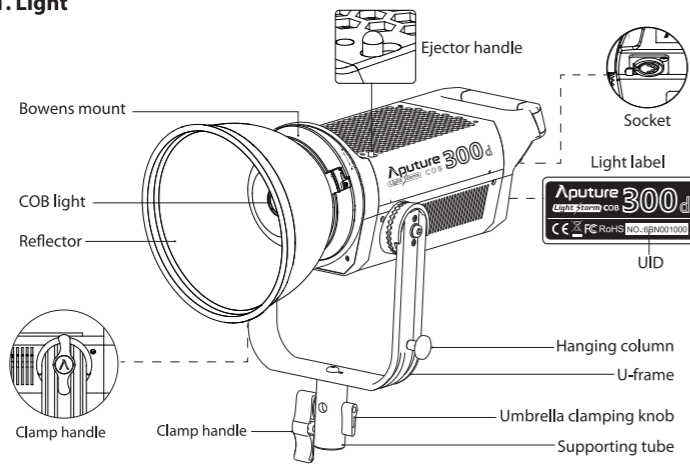
2. Manual controlled by the controller box

1) Brightness adjustment and display

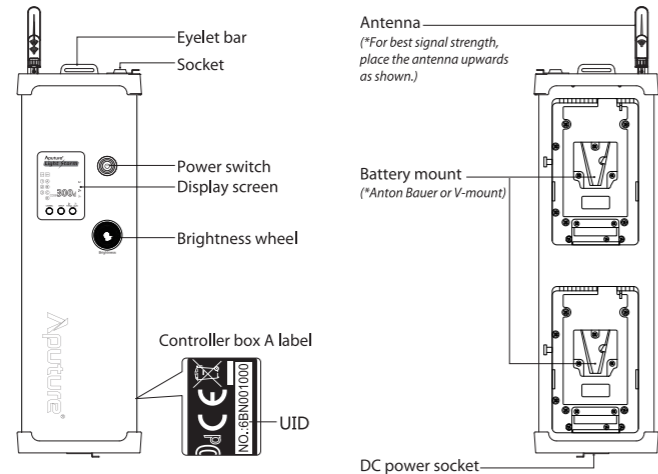


Nomenclature

1. Light

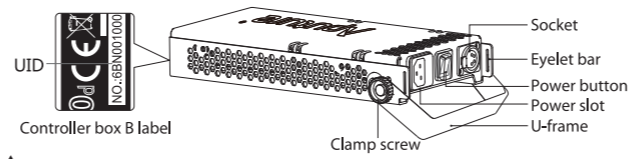


2. Controller box A



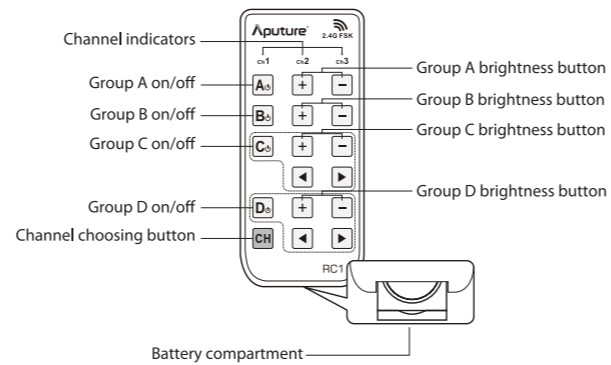
-3-

3. Controller box B

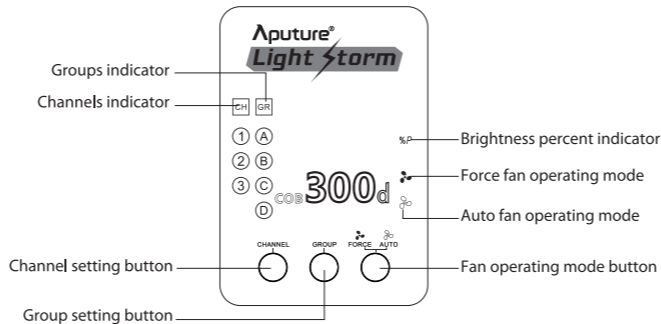


Warning: Keep the UID to its corresponding light to ensure optimum performance.

4. Controller



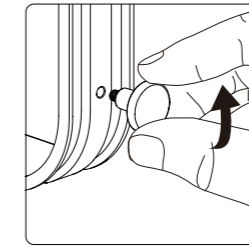
5. Display screen



-4-

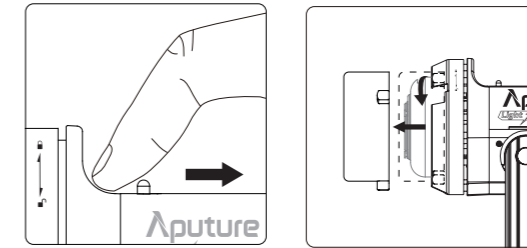
Installations

1. Install the hanging column



2. Protection cover unlock and install

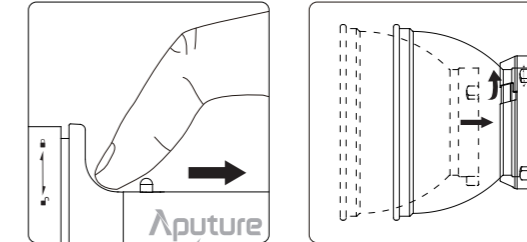
Pull ejector handle back, and unlock protection cover as the picture shows. Install protection cover rotate in the opposite direction.



* Please make sure you remove the protection cover before turning on the light to prevent melting or fire. Put the cover back on the light after each use.

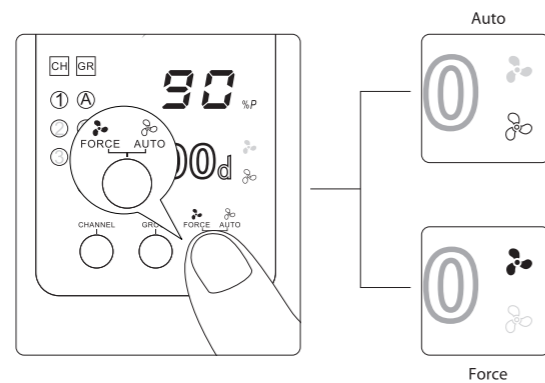
3. Reflector install and unlock

Pull ejector handle back, and install reflector as the picture shows. Unlock reflector rotate in the opposite direction.



-5-

2) Press the (Auto/Force) button can adjust the fan operating model based on using environments, as the following picture shows



* 1) Auto Mode: Fan speed is automatically adjusted according to internal temperature. ("Auto mode" is by default)
* 2) Force Mode: Fan operates at maximum speed. (Recommended for high temperature shoots)

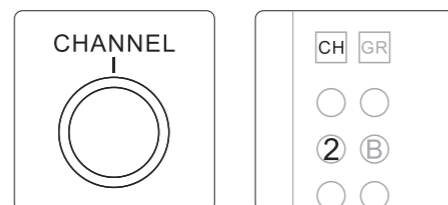
3. Remote control operations

You can control the LS300d from any channel or group configuration.

* The Light Storm has three channels (1/2/3) and four groups (A- B- C- D).

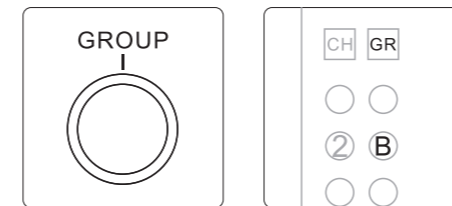
1) The controller box setting

*1) Channel setting and display

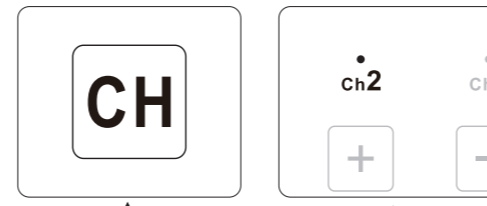


-9-

*2) Group setting and display



2) The controller setting and display

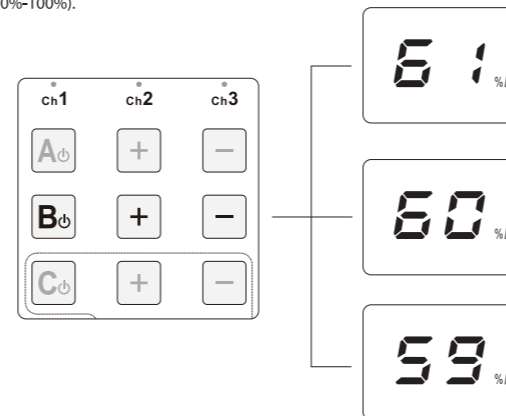


Press (CH) to set the channel 2 "ch2" indicator lights

The controller setting is finished.

3) Brightness and color temperature adjustment

Press (+) (-) of group B to adjust the brightness, the brightness varies 1%. Brightness changes between(10%-100%).



-10-

Specifications

Power Input	≤300W	Cooling Mode	Active Cooling
TLCI	≥96	Color Temperature	5500K ±200K
CRI	≥95	Channels	1/2/3
Radio Frequency	2.4GHz	Remote Range	≤150m
Groups	A/B/C/D		
Sizes (L*W*H)	Light	343.5*305.9*186.3mm	
	Controller box A (A-Mount)	375.0*118.7*48.1mm	
	Controller box A (V-Mount)	375.0*118.7*59.6mm	
	Controller box B	286.1*144.7*42.0mm(*vertical U-frame)	

Brightness (average)

Lamp holder	Distance	0.5m	1m	2m	
Reflector	Footcandles	4461	1022	260	
	LUX	48000	11000	2800	
Fresnel * Optional accessories for fresnel	Flood	Footcandles	8132	2454	651
		LUX	87500	26400	7000
	Spot	Footcandles	13197	3717	976
		LUX	142000	40000	10500

* The data is average brightness, it will shift slightly with different lights.

Trademarks

Bowens is a trademark of registered of Bowens in China and other countries.

Anton Bauer is a trademark of registered of Anton Bauer in the US and other countries.

-11-